

FIG. 1

102

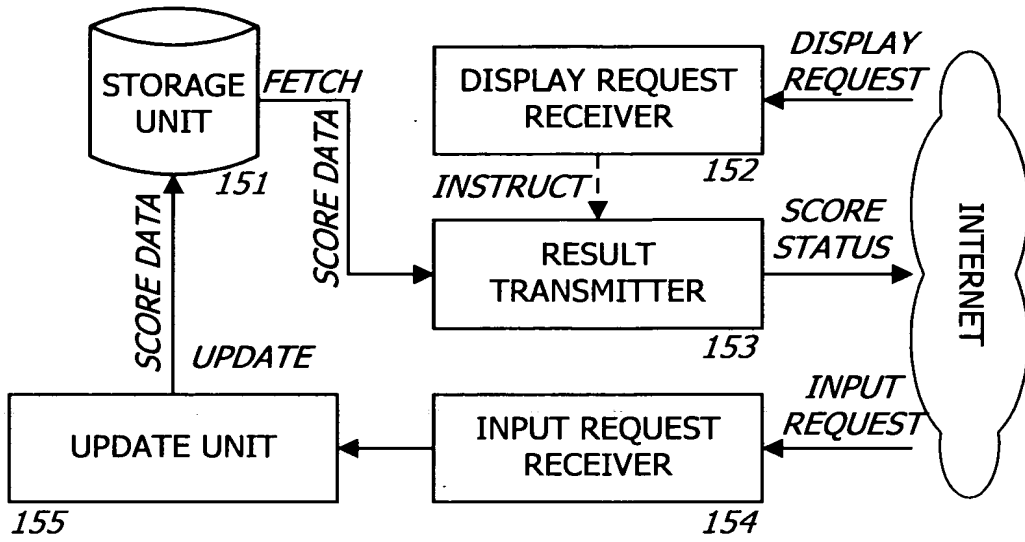


FIG. 2A

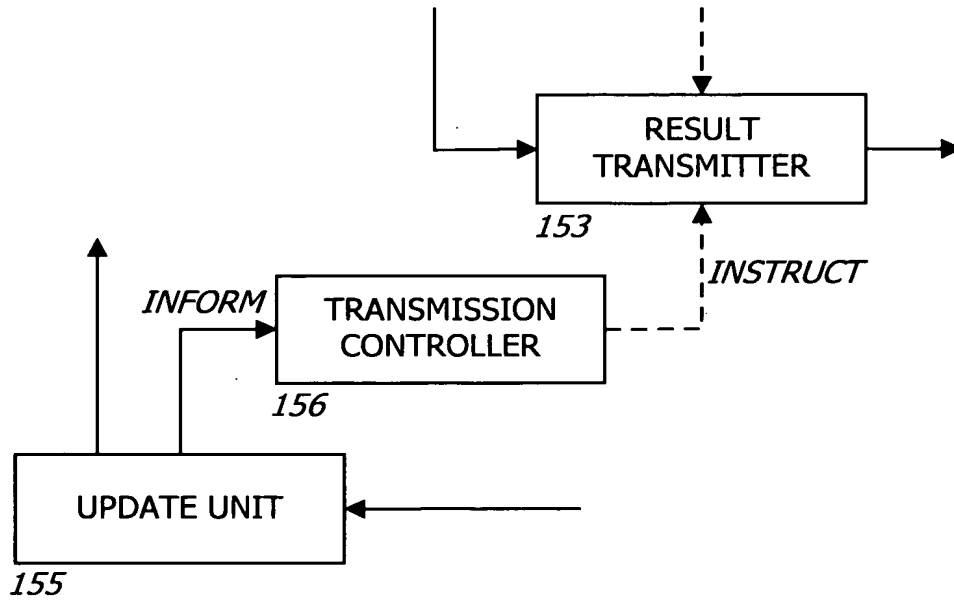


FIG. 2B

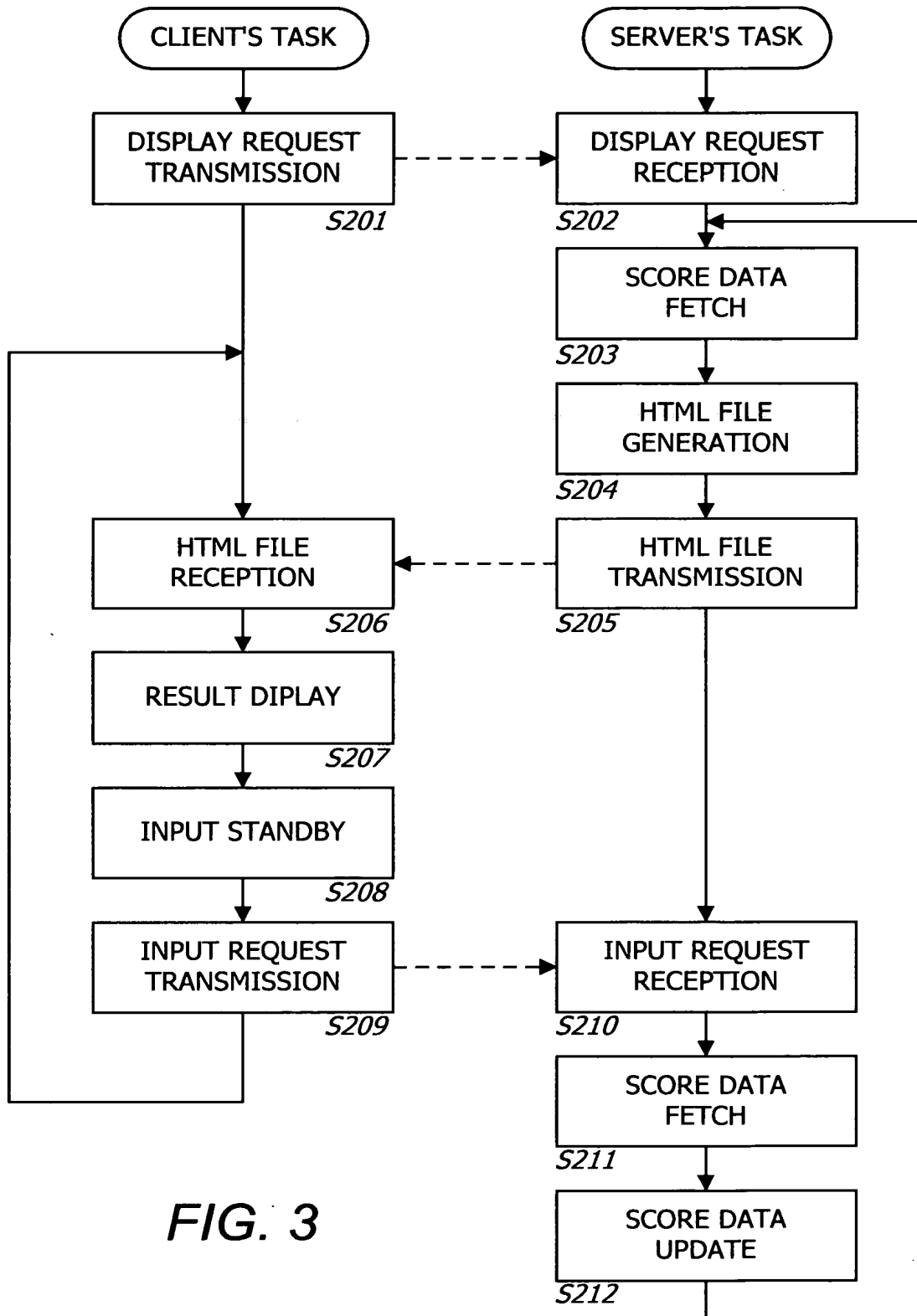


FIG. 3



301

EIGHTEEN-HOLE GOLF COURSE
FEB. 11, 1999

302

HOLE: 9
PAR: 3

WOODS	<input type="text"/>	<input type="checkbox"/>
ELS	<input type="text"/>	<input type="checkbox"/>
NICKLAUS	<input type="text"/>	<input type="checkbox"/>
NORMAN	<input type="text"/>	<input type="checkbox"/>

303

O K 304

1ST	SINGH	-4 (9)
2ND	ELS	-3 (8)
3RD	DUVAL	-2 (7)
24TH	WOODS	+4 (8)
52ND	NORMAN	+5 (8)
63RD	NICKLAUS	+6 (8)

FIG. 4